

## SRP SR4000TLI Inverter



### Electrical Characteristics

#### Input Data

Maximum Input Power	4680W
Nominal DC Voltage	360V
PV Open Voltage	500VDC
MPPT Voltage Range	250V to 450V +/-5%
System Start-up Voltage	100 +/-5%
Working Voltage Range	100 +/-5% ~ 500-5%+0%V
Initial Feeding Voltage	150V +/-5%
Full Rating Working Range	250V to 500V
Max. Input Current	20A DC
Shutdown Voltage	80V typical
DC Voltage Ripple	< 10%
DC Insulation Resistance	> 8M ohm
DC Switch	On/Off 20A

#### Output Data

Nominal Output Power	4000W
Maximum Output Power (The time is limited to 10 minutes @ 50°C ambient)	4400W
Operational Normal Voltage	230 Vac
Operational Frequency Range	50/60Hz, auto selection 47.5≤f50≤50.2 for 50Hz 59.3≤f60≤60.5 for 60Hz
Nominal Output Current	17.4A
Power Factor	> 0.99
DC Current Injection	< 20mA

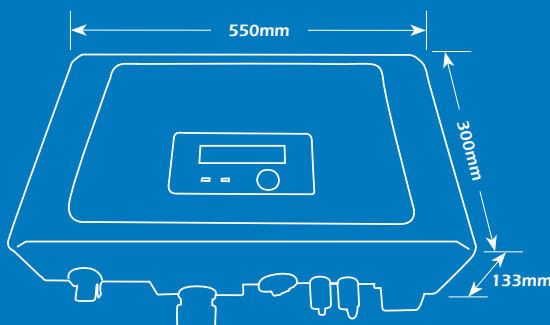
#### General Data

Internal Power Consumption	< 7W
Standby Power (at night)	< 0.1W
Minimum Conversion Efficiency (DC/AC)	>90% Under input voltage>210V, load >20%
Maximum Conversion Efficiency (DC/AC)	>96%
Protection Degree	IP 65
Operation Temperature	-20 to 55°C
Humidity	0 to 100%, non-condensing
Heat Dissipation	Convection

#### Standards and Certificates

Australia / NZ	AS4777, CE
Europe	VDE, CE, GS
UK	G83, CE
Italy	ENEL DK5940 Ed. 2.2, CE
USA, Canada	ETL listed, CE

Loading Capacity 20'GP (Pcs)	280
Loading Capacity 40'GP (Pcs)	588



## SRP SR6000TLI Inverter



### Electrical Characteristics

#### Input Data

Maximum Input Power	6500W
Nominal DC Voltage	360V~400V
PV Open Voltage	600VDC
MPPT Voltage Range	150V to 600V +/-5%
System Start-up Voltage	100 +/-5%
Working Voltage Range	100 +/-5% ~ 600-5%+0%V
Initial Feeding Voltage	150V +/-5%
Full Rating Working Range	250V to 600V
Max. Input Current	25A DC
Shutdown Voltage	80V typical
DC Voltage Ripple	< 10%
DC Insulation Resistance	> 8M ohm
DC Switch	On/Off 30A

#### Output Data

Nominal Output Power	6000W
Maximum Output Power (The time is limited to 10 minutes @ 50°C ambient)	6000W
Operational Normal Voltage	230 Vac
Operational Frequency Range	50/60Hz, auto selection 47.5≤f50≤50.2 for 50Hz 59.3≤f60≤60.5 for 60Hz
Nominal Output Current	26.1A
Power Factor	> 0.99
DC Current Injection	<0.5% of rated inverter output current

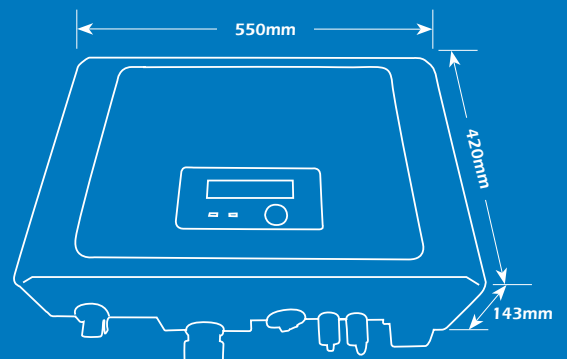
#### General Data

Internal Power Consumption	< 10W
Standby Power (at night)	< 0.1W
Minimum Conversion Efficiency (DC/AC)	>90% Under input voltage>210V, load >20%
Maximum Conversion Efficiency (DC/AC)	>96%
Protection Degree	IP 65
Operation Temperature	-20 to 55°C
Humidity	0 to 95%, non-condensing
Heat Dissipation	Convection

#### Standards and Certificates

Australia / NZ	AS4777, CE
Europe	VDE, CE, GS
UK	G83, CE
Italy	ENEL DK5940 Ed. 2.2, CE
USA, Canada	ETL listed, CE

Loading Capacity 20'GP (Pcs)	210
Loading Capacity 40'GP (Pcs)	420



\* Please visit our website for current and detailed specifications.