

SRP SR2000TLI Inverter



Electrical Characteristics

Input Data

Maximum Input Power	2340W
Nominal DC Voltage	360V
PV Open Voltage	500VDC
MPPT Voltage Range	200V to 450V +/-5%
System Start-up Voltage	100 +/-5%
Working Voltage Range	100 +/-5% ~ 500-5%+0%V
Initial Feeding Voltage	150V +/-5%
Full Rating Working Range	200V to 500V
Max. Input Current	10A DC
Shutdown Voltage	80V typical
DC Voltage Ripple	< 10%
DC Insulation Resistance	> 8M ohm
DC Switch	On/Off 20A

Output Data

Nominal Output Power	2000W
Maximum Output Power (The time is limited to 10 minutes @ 50°C ambient)	2200W
Operational Normal Voltage	230 Vac
Operational Frequency Range	50/60Hz, auto selection 47.5≤f50≤50.2 for 50Hz 59.3≤f60≤60.5 for 60Hz
Nominal Output Current	8.7A
Power Factor	> 0.99
DC Current Injection	< 20mA

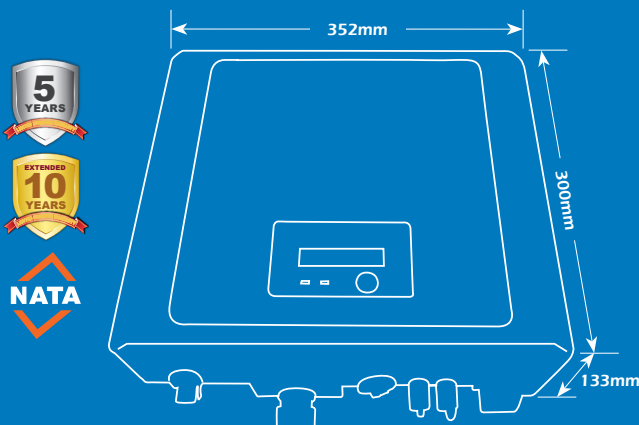
General Data

Internal Power Consumption	< 7W
Standby Power (at night)	< 0.1W
Minimum Conversion Efficiency (DC/AC)	>90% Under input voltage>210V, load >20%
Maximum Conversion Efficiency (DC/AC)	>95%
Protection Degree	IP 65
Operation Temperature	-20 to 55°C
Humidity	0 to 100%, non-condensing
Heat Dissipation	Convection

Standards and Certificates

Australia / NZ	AS4777, CE
Europe	VDE, CE, GS
UK	G83, CE
Italy	ENEL DK5940 Ed. 2.2, CE
USA, Canada	ETL listed, CE

Loading Capacity 20'GP (Pcs)	336
Loading Capacity 40'GP (Pcs)	700



SRP SR3000TLI Inverter



Electrical Characteristics

Input Data

Maximum Input Power	3510W
Nominal DC Voltage	360V~400V
PV Open Voltage	500VDC
MPPT Voltage Range	200V to 450V +/-5%
System Start-up Voltage	100 +/-5%
Working Voltage Range	100 +/-5% ~ 500-5%+0%V
Initial Feeding Voltage	150V +/-5%
Full Rating Working Range	200V to 500V
Max. Input Current	15.2A DC
Shutdown Voltage	80V typical
DC Voltage Ripple	< 10%
DC Insulation Resistance	> 8M ohm
DC Switch	On/Off 20A

Output Data

Nominal Output Power	3000W
Maximum Output Power (The time is limited to 10 minutes @ 50°C ambient)	3300W
Operational Normal Voltage	230 Vac
Operational Frequency Range	50/60Hz, auto selection 47.5≤f50≤50.2 for 50Hz 59.3≤f60≤60.5 for 60Hz
Nominal Output Current	13A
Power Factor	> 0.99
DC Current Injection	< 20mA

General Data

Internal Power Consumption	< 7W
Standby Power (at night)	< 0.1W
Minimum Conversion Efficiency (DC/AC)	>90% Under input voltage>210V, load >20%
Maximum Conversion Efficiency (DC/AC)	>95%
Protection Degree	IP 65
Operation Temperature	-20 to 55°C
Humidity	0 to 100%, non-condensing
Heat Dissipation	Convection

Standards and Certificates

Australia / NZ	AS4777, CE
Europe	VDE, CE, GS
UK	G83, CE
Italy	ENEL DK5940 Ed. 2.2, CE
USA, Canada	ETL listed, CE

Loading Capacity 20'GP (Pcs)	336
Loading Capacity 40'GP (Pcs)	700

