

# MADE IN CHINA

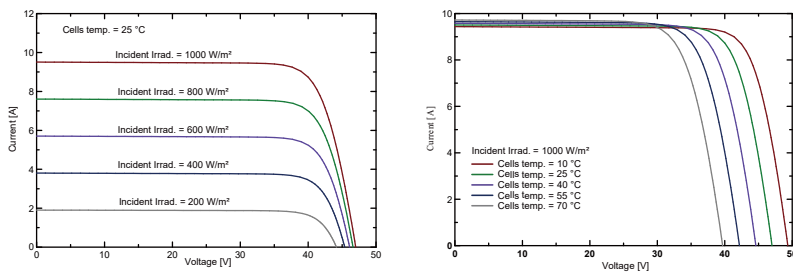
# SRP-6MA(-HV) SERIES 6 INCH 72 CELLS

## Electrical Characteristics

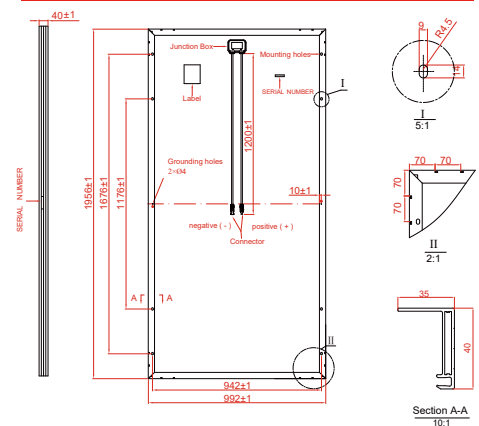
Module Type	SRP-365-6MA SRP-365-6MA-HV		SRP-370-6MA SRP-370-6MA-HV		SRP-375-6MA SRP-375-6MA-HV		SRP-380-6MA SRP-380-6MA-HV	
	STC	NOCT	STC	NOCT	STC	NOCT	STC	NOCT
Maximum Power -P <sub>mp</sub> (W)	365	271	370	274	375	278	380	282
Open Circuit Voltage -V <sub>oc</sub> (V)	47.6	44.0	47.8	44.1	48.0	44.3	48.3	44.6
Short Circuit Current -I <sub>sc</sub> (A)	9.78	7.90	9.88	7.97	9.96	8.05	10.02	8.11
Maximum Power Voltage -V <sub>mp</sub> (V)	38.7	36.3	38.9	36.4	39.1	36.6	39.4	36.9
Maximum Power Current -I <sub>mp</sub> (A)	9.44	7.47	9.52	7.53	9.60	7.60	9.65	7.65
Module Efficiency STC-η <sub>m</sub> (%)	18.81/18.68		19.07/18.93		19.33/19.19		19.58/19.44	
Power Tolerance (W)	(0,+4.99)							
Maximum System Voltage (V)	1000VDC / 1500VDC							
Maximum Series Fuse Rating (A)	20A							
Pmax Temperature Coefficient	-0.38%/°C							
Voc Temperature Coefficient	-0.28 %/°C							
Isc Temperature Coefficient	+0.05 %/°C							
Operating Temperature	-40~+85 °C							
Nominal Operating Cell Temperature	45±2 °C							

STC: Irradiance 1000 W/m<sup>2</sup> module temperature 25°C AM=1.5 . Power measurement tolerance: +/-3%;Voltage measurement tolerance: +/-2%;Current measurement tolerance: +/-4%  
 NOCT: Irradiance 800 W/m<sup>2</sup> ambient temperature 20°C wind speed :1m/s . Power measurement tolerance: +/-3%;Voltage measurement tolerance: +/-2%;Current measurement tolerance: +/-4%

## I-V Curve



## Technical drawing(SRP-XXX-6MA)



## Mechanical Specifications

External Dimension	1956 x 992 x 40mm/1970 x 992 x 40mm
Weight	21.5kg/22.0kg
Solar Cells	PERC Mono crystalline 156.75 x 156.75 mm (72pcs)
Front Glass	3.2 mm AR coating tempered glass, low iron
Frame	Anodized aluminium alloy
Junction Box	IP68, 3 diodes
Output Cables	4.0 mm <sup>2</sup> , cable length:1200 mm
Mechanical Load	5400 Pa

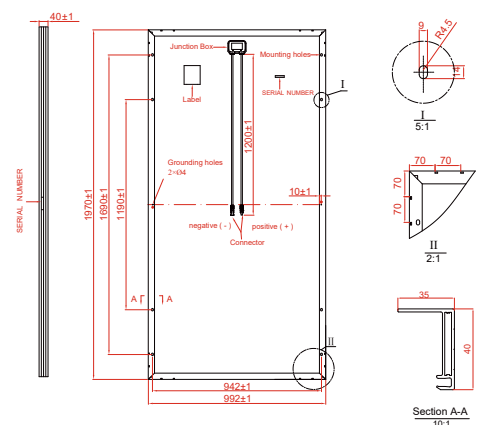
Connector TT01&TT02&PV-KST4xy-UR;PV-KBT4/xy-UR&PV-JM601 for SD-901  
 TL-CABLE01 for TL-BOX040G-1xypT  
 Z4S-abcde&PPV-KST4xy-UR;PV-KBT4/xy-UR&H4Labcdef&PV-KST4xy-  
 EVO2/xy;PV-EVO2/xy&PV4-S14.0&UTXCFabcd, UTXCMabcd for ZS-abcd

## Packing Configuration

External Dimension	1956 x 992 x 40mm/1970 x 992 x 40mm		
Container	20'GP	40'GP	40'HQ
Pieces per Pallet	27	27	27+2*
Pallets per Container	10	22	22
Pieces per Container	270	594	638

\* 27+2 pieces per pallet is the special package which only suits for container transport.For details,please consult SERAPHIM.

## Technical drawing(SRP-XXX-6MA-HV)



\* All Dimensions in mm.  
 \* The above drawing is a graphical representation of the product. For engineering quality drawings please contact SERAPHIM.