

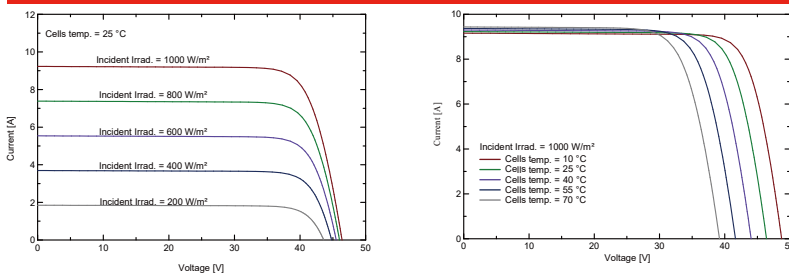


SRP-XXX-6MA: Maximum System Voltage 1000 VDC.

SRP-XXX-6MA-HV: Maximum System Voltage 1500 VDC.

MADE IN CHINA**SRP-6MA(-HV)** SERIES 6 INCH 72 CELLS**Electrical Characteristics**

Module Type	SRP-340-6MA		SRP-345-6MA		SRP-350-6MA		SRP-355-6MA		SRP-360-6MA	
	STC	NOCT	STC	NOCT	STC	NOCT	STC	NOCT	STC	NOCT
Maximum Power -P _{mp} (W)	340	252	345	256	350	260	355	263	360	267
Open Circuit Voltage -V _{oc} (V)	46.6	43.0	46.8	43.2	47.0	43.4	47.2	43.6	47.4	43.8
Short Circuit Current -I _{sc} (A)	9.32	7.59	9.43	7.64	9.51	7.68	9.61	7.75	9.70	7.84
Maximum Power Voltage -V _{mp} (V)	37.7	35.5	37.9	35.6	38.1	35.8	38.3	35.9	38.5	36.1
Maximum Power Current -I _{mp} (A)	9.02	7.10	9.11	7.19	9.19	7.27	9.27	7.33	9.36	7.40
Module Efficiency STC-η _m (%)	17.52/17.40		17.78/17.65		18.04/17.91		18.30/18.17		18.55/18.42	
Power Tolerance (W)	(0,+4.99)									
Maximum System Voltage (V)	1000VDC / 1500VDC									
Maximum Series Fuse Rating (A)	20A									
Pmax Temperature Coefficient	-0.38%/°C									
Voc Temperature Coefficient	-0.28 %/°C									
Isc Temperature Coefficient	+0.05 %/°C									
Operating Temperature	-40~+85 °C									
Nominal Operating Cell Temperature	45±2 °C									

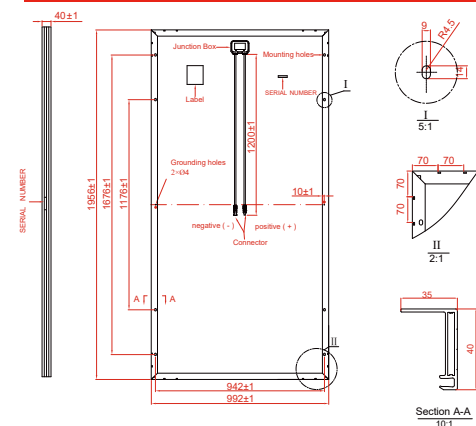
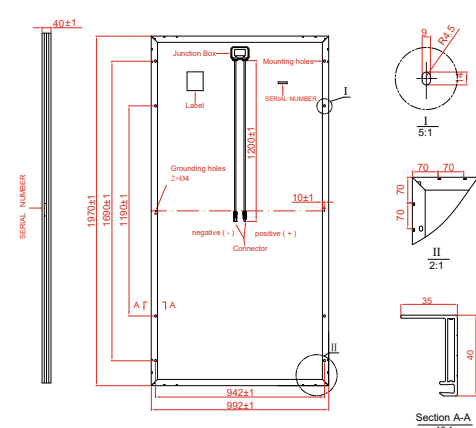
STC: Irradiance 1000 W/m² module temperature 25°C AM=1.5. Power measurement tolerance: +/-3%;Voltage measurement tolerance: +/-2%;Current measurement tolerance: +/-4%NOCT: Irradiance 800 W/m² ambient temperature 20°C wind speed :1m/s . Power measurement tolerance: +/-3%;Voltage measurement tolerance: +/-2%;Current measurement tolerance: +/-4%**I-V Curve****Mechanical Specifications**

External Dimension	1956 x 992 x 40mm/1970 x 992 x 40mm
Weight	21.5kg/22.0kg
Solar Cells	Mono crystalline 156.75 x 156.75 mm (72pcs)
Front Glass	3.2 mm AR coating tempered glass, low iron
Frame	Anodized aluminium alloy
Junction Box	IP68, 3 diodes
Output Cables	4.0 mm ² , cable length:1200 mm
Mechanical Load	5400 Pa
Connector	TT01&TT02&PV-KST4xy-UR;PV-KBT4/xy-UR&PV-JM601 for SD-901 TL-CABLE01 for TL-BOX040G-1xypT Z4S-abcde&PPV-KST4xy-UR;PV-KBT4/xy-UR&H4Labcdef&PV-KST4xy- EVO2/xy;PV-EVO2/xy&PV4-S14.0&UTXCFabcd, UTXCMabcd for ZS-abcd

Packing Configuration

External Dimension	1956 x 992 x 40mm/1970 x 992 x 40mm		
Container	20'GP	40'GP	40'HQ
Pieces per Pallet	27	27	27+2*
Pallets per Container	10	22	22
Pieces per Container	270	594	638

* 27+2 pieces per pallet is the special package which only suits for container transport.For details,please consult SERAPHIM.

Technical drawing(SRP-XXX-6MA)**Technical drawing(SRP-XXX-6MA-HV)**

* All Dimensions in mm.

* The above drawing is a graphical representation of the product. For engineering quality drawings please contact SERAPHIM.

Specifications are subject to change without further notification SRP-DS-EN-2019V2.0 © Copyright 2019 Seraphim



SERAPHIM SOLAR SYSTEM CO., LTD.

www.seraphim-energy.com

info@seraphim-energy.com