

**MADE IN CHINA**

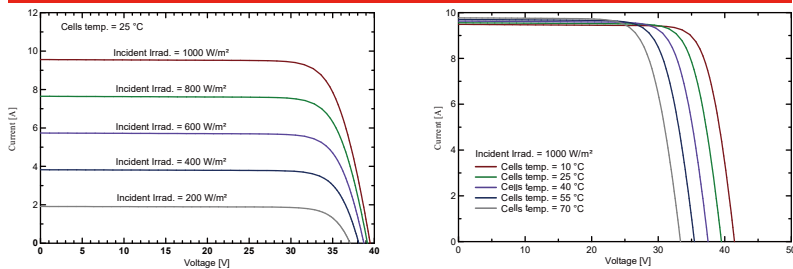
**SRP-6MB(-HV) SERIES 6 INCH 60 CELLS**

**Electrical Characteristics**

Module Type	SRP-285-6MB		SRP-290-6MB		SRP-295-6MB		SRP-300-6MB		SRP-305-6MB		SRP-310-6MB		SRP-315-6MB	
	STC	NOCT	STC	NOCT	STC	NOCT	STC	NOCT	STC	NOCT	STC	NOCT	STC	NOCT
Maximum Power -P <sub>mp</sub> (W)	285	212	290	215	295	219	300	223	305	226	310	230	315	234
Open Circuit Voltage -V <sub>oc</sub> (V)	39.1	36.2	39.3	36.3	39.5	36.5	39.7	36.7	39.9	36.8	40.2	37.1	40.4	37.3
Short Circuit Current -I <sub>sc</sub> (A)	9.33	7.54	9.44	7.63	9.56	7.73	9.65	7.82	9.76	7.91	9.82	7.96	9.92	8.05
Maximum Power Voltage -V <sub>mp</sub> (V)	31.5	29.9	31.7	30.0	31.9	30.1	32.1	30.3	32.3	30.4	32.6	30.7	32.8	30.9
Maximum Power Current -I <sub>mp</sub> (A)	9.05	7.09	9.15	7.17	9.25	7.28	9.35	7.36	9.45	7.44	9.51	7.50	9.61	7.58
Module Efficiency STC-η <sub>m</sub> (%)	17.52/17.41		17.83/17.72		18.13/18.02		18.44/18.33		18.75/18.63		19.05/18.94		19.36/19.24	
Power Tolerance (W)	(0,+4.99)													
Maximum System Voltage (V)	1000VDC / 1500VDC													
Maximum Series Fuse Rating (A)	20A													
Pmax Temperature Coefficient	-0.38%/°C													
Voc Temperature Coefficient	-0.28 %/°C													
Isc Temperature Coefficient	+0.05 %/°C													
Operating Temperature	-40~+85 °C													
Nominal Operating Cell Temperature	45±2 °C													

STC: Irradiance 1000 W/m<sup>2</sup> module temperature 25°C AM=1.5. Power measurement tolerance: +/-3%; Voltage measurement tolerance: +/-2%; Current measurement tolerance: +/-4%  
 NOCT: Irradiance 800 W/m<sup>2</sup> ambient temperature 20°C wind speed :1m/s . Power measurement tolerance: +/-3%; Voltage measurement tolerance: +/-2%; Current measurement tolerance: +/-4%

**I-V Curve**



**Mechanical Specifications**

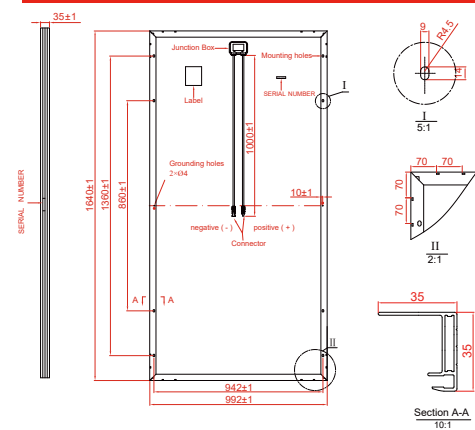
External Dimension	1640 x 992 x 35mm/1650 x 992 x 35mm
Weight	17.5kg/18.0kg
Solar Cells	PERC Mono crystalline 156.75 x 156.75 mm (60pcs)
Front Glass	3.2 mm AR coating tempered glass, low iron
Frame	Anodized aluminium alloy
Junction Box	IP68, 3 diodes
Output Cables	4.0 mm <sup>2</sup> , cable length:1000 mm
Mechanical Load	5400 Pa
Connector	TT01&TT02&PV-KST4xy-UR;PV-KBT4/xy-UR&PV-JM601 for SD-901 TL-CABLE01 for TL-BOX040G-1xypT Z4S-abcde&PPV-KST4xy-UR;PV-KBT4/xy-UR&H4Labcd&PV-KST4xy- EVO2/xy;PV-EVO2/xy&PV4-S14.0&UTXCFabcd, UTXCMabcd for ZS-abcd

**Packing Configuration**

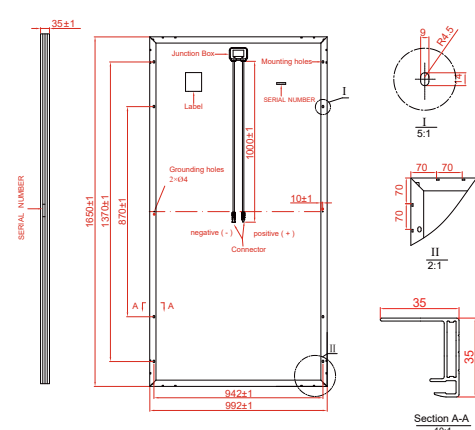
External Dimension	1640 x 992 x 35mm/1650 x 992 x 35mm		
Container	20'GP	40'GP	40'HQ
Pieces per Pallet	30	30	30+2*
Pallets per Container	12	28	28
Pieces per Container	360	840	896

\* 30+2 pieces per pallet is the special package which only suits for container transport.For details,please consult SERAPHIM.

**Technical drawing(SRP-XXX-6MB)**



**Technical drawing(SRP-XXX-6MB-HV)**



\* All Dimensions in mm.  
 \* The above drawing is a graphical representation of the product.  
 For engineering quality drawings please contact SERAPHIM.

Specifications are subject to change without further notification SRP-DS-EN-2019V2.0 © Copyright 2019 Seraphim